



PRO-X8M

8" MIDRANGE LOUDSPEAKER

RMS Power Handling: 275 Watts

MAX Power Handling: 550 Watts

Frequency Response: 100Hz-13KHz

Voice Coil Diameter: 1.5" (38.1 mm)

Voice Coil Material: Kapton

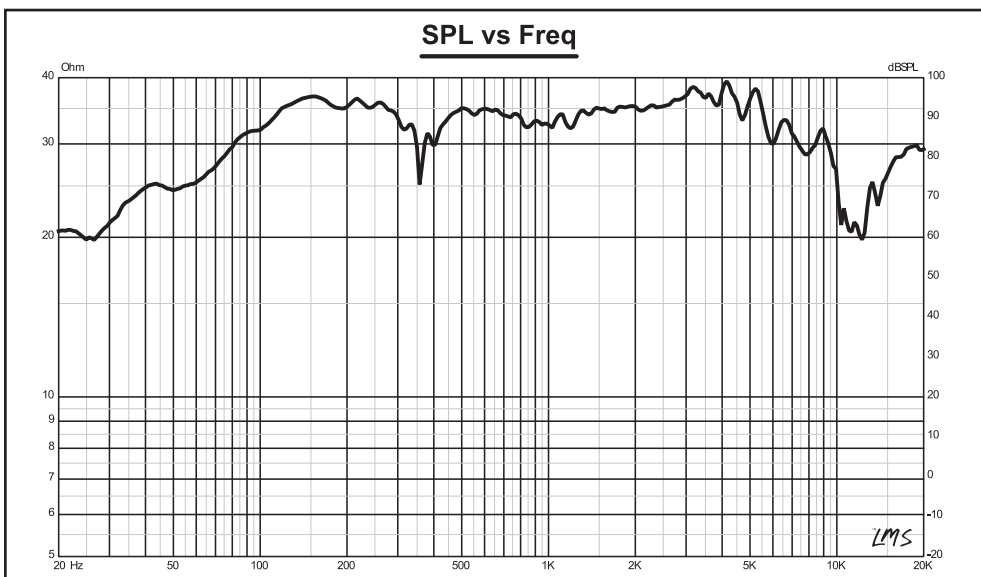
Nominal Impedance: 8 OHM

Sensitivity (1W/1M): 98.2dB

Magnet Weight: 30 oz

Magnet Material: Ferrite

Mounting Depth: 79 mm / 3.11"



8"
MIDRANGE LOUDSPEAKER

PRO-X8M



550W MAX

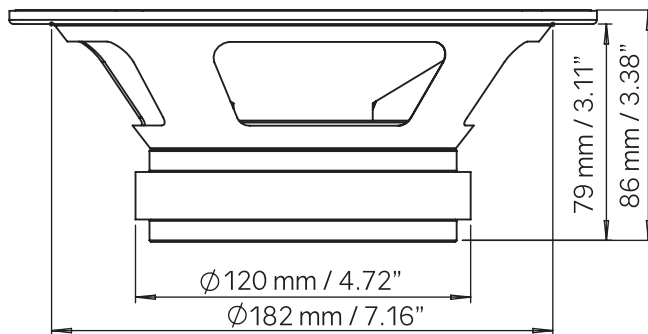
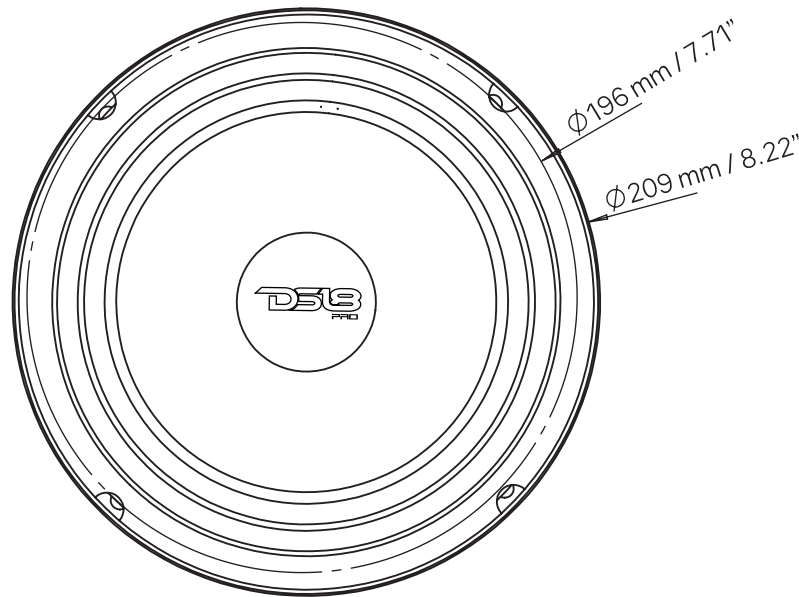
275W RMS

8 OHMS

OWNER'S MANUAL

PRO-X8M

8" MIDRANGE LOUDSPEAKER



DS18.COM

Data Sheet

Specifications:

Nominal Diameter	8" (203.2 mm)
Nominal Impedance	8 ohms
RMS Power Handling	275 WATTS
MAX Power Handling	550 WATTS
Sensitivity (1w/1m)	98.2dB
Frequency Response	100Hz-13KHz
Recommended Hi Pass Crossover.....	120 Hz

Midrange:

Voice Coil Diameter.....	1.5" (38.1 mm)
Voice Coil Former Material.....	Kapton
Winding Material.....	CCA
Basket Material.....	Steel
Magnet Weight.....	30 oz

Thiele & Small Parameters:

Equivalent Volume	Vas.....	21.85 LTR
Excursion	Xmax.....	9.3 mm
Free Air Resonance	Fs.....	100 Hz
Mechanical Factor	Qms.....	13.041
Electrical Factor	Qes.....	0.684
Total Factor	Qts.....	0.650
Dc Resistance	Re.....	5.2 ohms

Measurements:

Overall Diameter.....	209 mm (8.22")
Front Mount Baffle Cutout	182 mm (7.16")
Mounting Depth.....	79 mm (3.11")
Overall Depth.....	86 mm (3.38")

PRO-X8M 8" MIDRANGE LOUDSPEAKER

#WeLikeItLoud

